

Product availability: Non-Stock - Not normally stocked in distribution facility

Price*: 110.00 USD



Main

Range of Product	Telemecanique Photoelectric sensors XU
Series name	General purpose single mode
Electronic sensor type	Photo-electric sensor
Sensor name	XUX
Sensor design	Compact 92 x 71
Detection system	Polarised reflex
Material	Plastic
Type of output signal	Discrete
Supply circuit type	DC
Wiring Technique	3-wire
Discrete output type	PNP
Discrete output function	1 NC
Electrical connection	Screw-clamp terminals, 1 x 1.5 mm ² or 1 x 0.75 mm ² with adaptor
Product Specific Application	-
Emission	Red polarised reflex
[Sn] nominal sensing distance	36.09 Ft (11 m) polarised reflex need reflector XUZC50

Complementary

Enclosure Material	PBT
Lens material	PMMA
Maximum sensing distance	49.21 Ft (15 m) polarised reflex
Output Type	Relay
Cable entry	1 entry for M16 x 1.5 cable gland 0.28...0.39 in (7...10 mm)
Status LED	1 LED yellow)output state 1 LED red)instability 1 LED green)supply
[Us] rated supply voltage	24...240 V AC/DC
Switching capacity in mA	3 A cos ϕ = 1 for 0.5 million cycles at 1 operating cycle per second at 250 V) 0.5 A cos ϕ = 0.4 for 0.5 million cycles at 1 operating cycle per second at 250 V)
Switching frequency	<= 20 Hz

Maximum voltage drop	<1.5 V closed state)
Current consumption	<= 35 mA no-load
Maximum power consumption in W	2 W AC/DC
Maximum delay first up	60 Ms
Maximum delay response	25 Ms
Maximum delay recovery	25 Ms
Setting-up	Sensitivity adjustment
Electrical durability	500000 Cycles 1 60 cyc/mn 250 V 500000 Cycles 0.4 60 cyc/mn 250 V
Maximum Depth	3.03 In (77 mm)
Maximum Height	3.62 In (92 mm)
Maximum Width	1.22 In (31 mm)
Net Weight	0.44 Lb(US) (0.2 kg)

Environment

Product Certifications	UL CE CSA
Ambient air temperature for operation	-13...131 °F (-25...55 °C)
Ambient Air Temperature for Storage	-40...158 °F (-40...70 °C)
Vibration resistance	7 gn +/- 1.5 mm 10...55 Hz) IEC 60068-2-6
Shock resistance	30 gn 11 ms) IEC 60068-2-27
IP degree of protection	IP67 double insulation IEC 60529 IP65 double insulation IEC 60529

Ordering and shipping details

Category	22481 - SENSORS, PHOTOELECTRIC
Discount Schedule	DS2
GTIN	03389110171525
Nbr. of units in pkg.	1
Package weight(Lbs)	6.70 Oz (190 g)
Returnability	No
Country of origin	FR

Packing Units

Unit Type of Package 1	PCE
Package 1 Height	1.65 In (4.2 cm)
Package 1 width	3.74 In (9.5 cm)
Package 1 Length	5.12 In (13 cm)

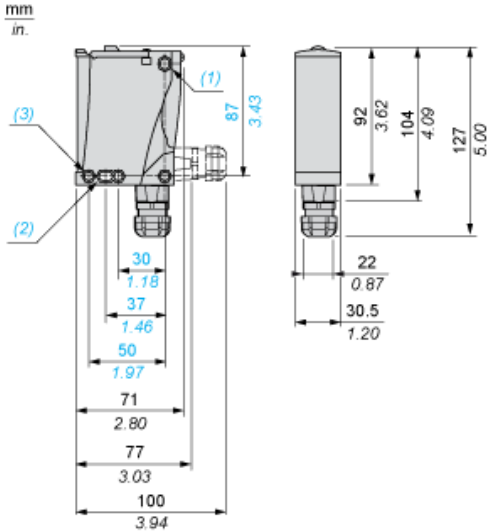
Offer Sustainability

Sustainable offer status	Green Premium product
California proposition 65	WARNING: This product can expose you to chemicals including: Diisononyl phthalate (DINP), which is known to the State of California to cause cancer, and Diisodecyl phthalate (DIDP), which is known to the State of California to cause birth defects or other reproductive harm. For more information go to www.P65Warnings.ca.gov
REACH Regulation	REACH Declaration
EU RoHS Directive	Pro-active compliance (Product out of EU RoHS legal scope) EU RoHS Declaration
Mercury free	Yes
RoHS exemption information	Yes
Environmental Disclosure	Product Environmental Profile
Circularity Profile	End Of Life Information

Contractual warranty

Warranty	18 months
----------	-----------

Dimensions



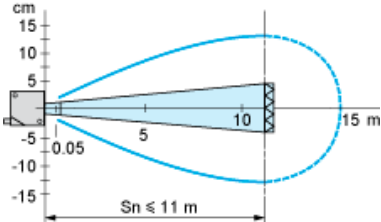
- (1) Elongated hole $\text{Ø } 5.5 \times 7$
- (2) Elongated hole $\text{Ø } 5.5 \times 9$
- (3) $\text{Ø } 5.5$ hole

Wiring Schemes

PNP/NPN DC

M12		Terminals		
1	●	1	⊘	+
3	●	2	⊘	-
4	●	3	⊘	Output

Detection Curves



With reflector XUZC50

Product Life Status : Commercialised